



SPECIAL MOTOR MANUFACTURING

EXPERT ON VARIABLE
FREQUENCY DRIVE AND
INTELLIGENT CONTROL



Science & technology leads the future
and innovation drives the future





CONTENTS

01	COMPANY PROFILE
02	OUR CULTURE
05	SERVICE
06	INDUSTRY SUPERIOR
07	PRODUCT FEATURES
09	TOTAL SOLUTION OF COAL MINE TRANSPORT SYSTEM
17	APPLICATION
18	PRODUCT SELECTION



Science & technology leads the future
and innovation drives the future

COMPANY PROFILE

CCS VFD-Motor is a hi-tech enterprise engaged in R&D and manufacturing of special motors. The company covers an area of 110 mu and building area of 60,000 square meters , located in Qingdao West Coast Economic New Area. CCS has world leading technology and manufacturing process. With the perfect quality guarantee system, series products serve coal mine industry and field through advanced technology and reliable quality. The company has professional R&D and service teams. Our technical staff have solid technical background and rich field experience. We have wide spectrum of products, including 380V/660V/1140V/3300V/6KV/10KV all-in-one VFD motor , YBBP series VFD three-phase asynchronous motors , permanent magnet synchronous variable frequency all-in-one VFD motor, YBSD series two speed motors and specialized motors for bolter miners, continuous miners, pumping and tunneling. We also provide customized solutions based on our customer's requirements.



The company is ISO9001:2008 quality management system certified ISO14001:2004 environment management system certified, and OHSAS 18001:2007 occupation health and safety management system certified. CCS strives to be the leader of the motor and drive solution provider, through innovation and cooperation with the other leaders in the industry, and through close cooperation with world renowned research firms and universities .

“Science & technology leads the future and innovation drives the future” . this is the core value of CCS. We serve our customer with the latest technology, quality, and efficiency. We grow together with our customer.

OUR CULTURE

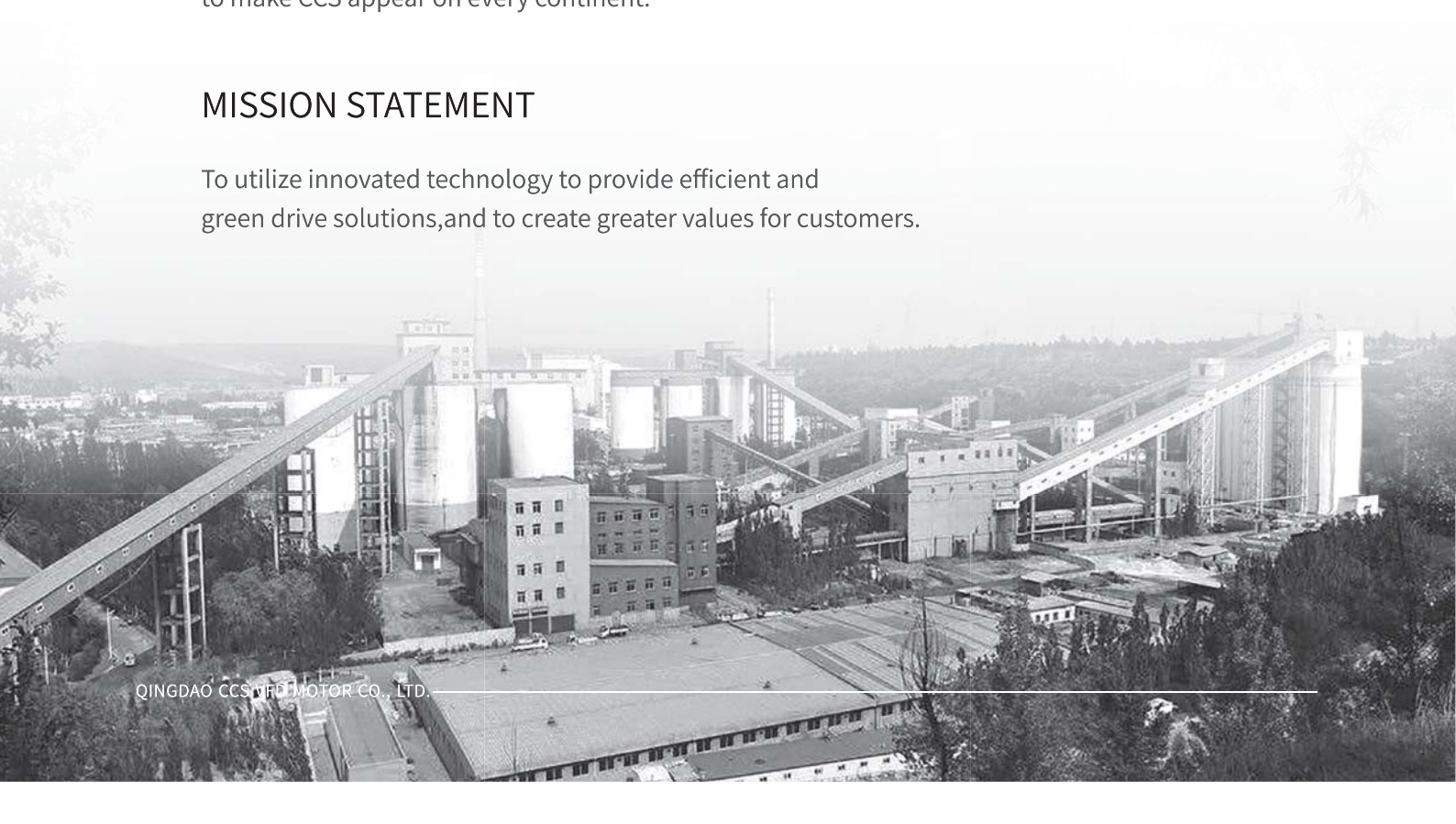


VISION

To become the best VFD-motor and drive supplier,
to make CCS appear on every continent.

MISSION STATEMENT

To utilize innovated technology to provide efficient and
green drive solutions, and to create greater values for customers.





Enterprise core values



Customers Frist



Dedication



Open and enterprising



Sincerity



team work



Sustained progress

SERVICE



Service mode: tracking service

Starting from presales, to-releasing to customer, to installation and tuning, to-operation, to maintenance, to-overhaul, to-placement, CCS tracks product real time, to guarantee reliability and safety at any stage.

Management mode: regional management mode

CCS service team sets up 7 offices domestically. Easily wearing parts are stocked locally; and can be replaced as fast as possible when it's needed.

INDUSTRY SUPERIOR

- 2011** In 2011, CCS team pioneered using 1140V frequency converter in scraper conveying successfully for the first time in the world.
- 2012** In 2012, CCS team released 3300V frequency converter and used it in scraper conveying successfully, filling the blank of using 3300V frequency converter in underground coal mining.
- 2013** In May 2013, CCS team released 1140V VFD all-in-one motor, to combine variable frequency drive and motor effectively together. The 1140V VFD motor was used on scraper conveyor and reserved loader by customers such as Shendong, Yankuang and Huineng.
- 2014** In January 2014, CCS released 3300V VFD motor, of which the reliability exceeds similar overseas products. In April 2014, the 3300V all-in-one VFD motor successfully replaced imported motor in scraper conveyers of Bulianta coal mine of Shendong. In June 2014, 3 YJVFG-500M4-4T (1200KW/3300V) high-voltage VFD motors were applied in scraper conveyor of Yujialiang coal mine of Shendong and used on working surfaces 52216, 52408, 52401, 52403, 52402 and 52210 successively, with coal throughput of 25 million tons.
- 2015** In 2015, CCS released YJVFG-500L5-4T (1600KW/3300V) high-voltage VFD motor, which has the highest power in the industry up until now. At the end of 2017, the YJVFG-500L5-4T (1600KW/3300V) high-voltage VFD motor will be applied on the working surface with large mining height of 8.8m of Shangwan coal mine of Shenhua Shendong Coal Group.
- 2016** In July 2016, CCS researched and developed variable frequency and speed all-in-one motor, suitable scraper conveyor of working surface with thin layer coal or top coal. Its height is the same as that of regular two speed motor.
- 2017** In October 2017, CCS released the world's first set of 10KV/6KV high voltage VFD motor and permanent magnet synchronous all-in-one motor which fills the blank of the industry, improves the safety of coal mining further, and stimulates development of traction drive.





Advantages of All-in-one VFD motor:

- ▶ All-in-one motor lower cost.
- ▶ Save space.
- ▶ It has no impact on power grid and startup current is low.
- ▶ No limit to the length of the VFM supply cable, ideal to provide power long distance.
- ▶ longer life span.
- ▶ All-in-one VFD motor has no interference with other equipment, enable it to operate more stably.
- ▶ It is maintenance-free, improves productivity , reduces maintenance cost and time.
- ▶ Lower mechanical wear, longer life span mechanically, and low mechanical maintenance cost.

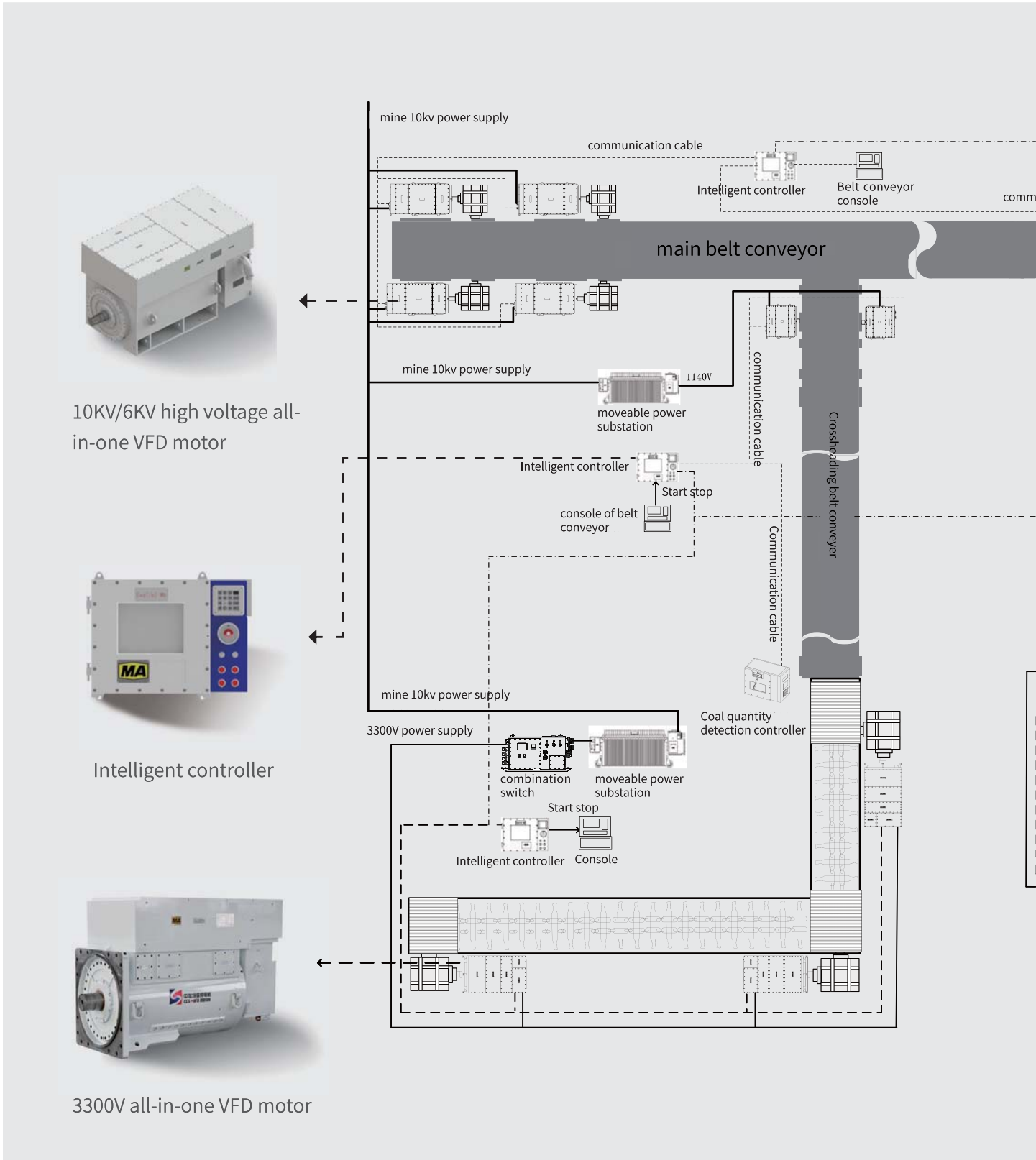


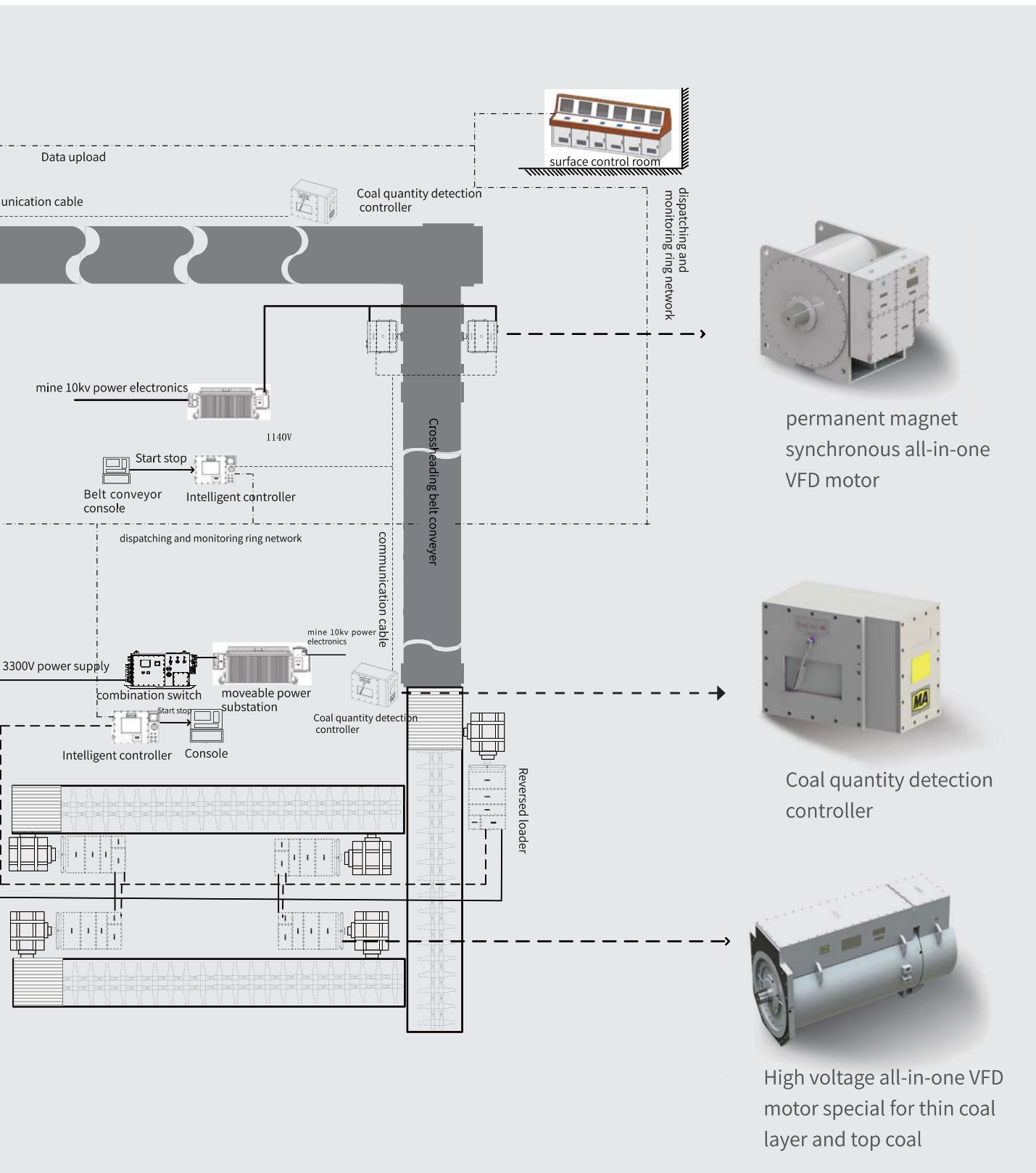
Features of All-in-one VFD motor:

- ▶ All-in-one motor variable frequency control, motor transmission, motor protection, load detection, dynamic power balance, etc., all in one.
- ▶ Direct torque control technology without sensor.
- ▶ Comprehensive design of variable frequency and motor:
 - The use of field-coupled transient finite element analysis to calculate motor loss of the all-in-one VFD motor, the use of thin imported silicon steel sheet stacking iron core of stator and rotar to reduce hysteresis and eddy-current loss and harmonic loss of magnetic field in iron core, generating lower heat.
 - Use of high reliability insulated bearing, the use of Dupont insulation materials and corona-resistant and impact-resistant insulation structure and technology.
- ▶ Main parts of drive/motor are international famous brands, with high reliability.
- ▶ Modular design, easy to maintain.

■ Total Solution of Coal Mine Transport System

CCS VFD-Motor dedicates in providing total solution for customers, providing the most reliable and practical products, based on years of experience.

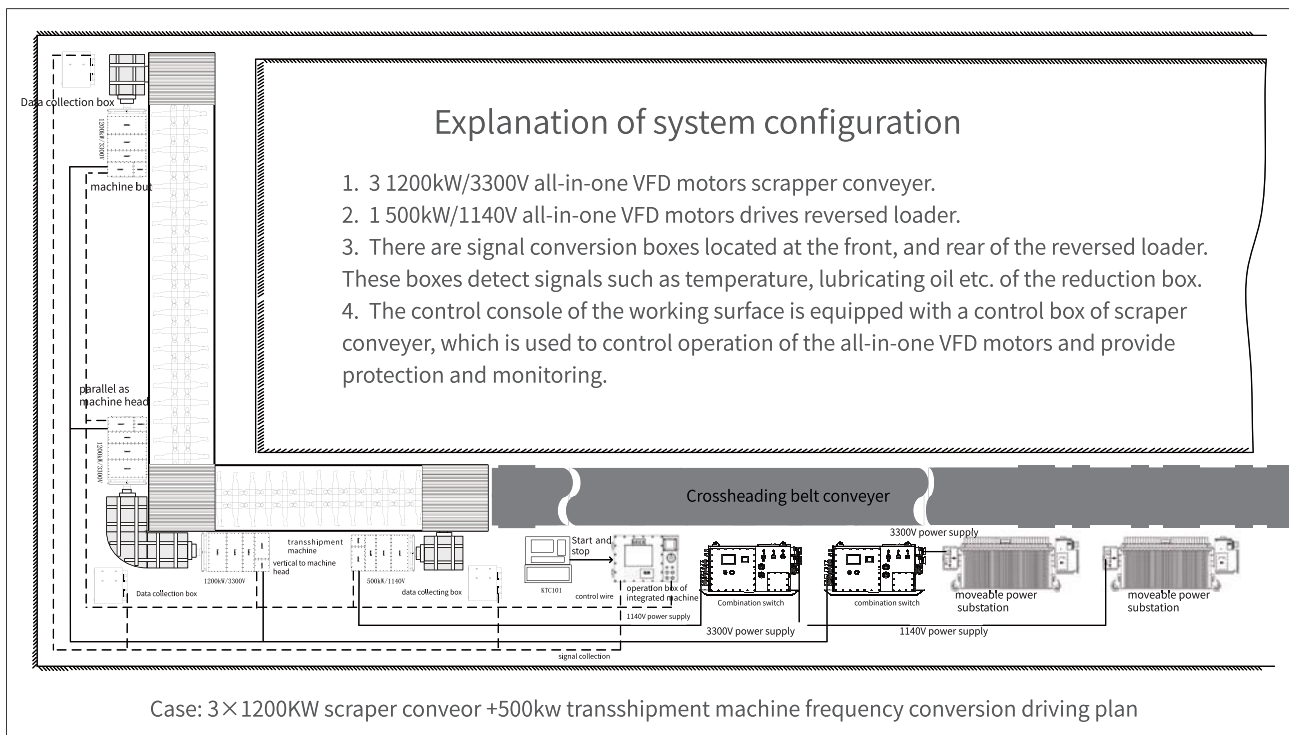




Variable all-in-one motorspeed VFD motor



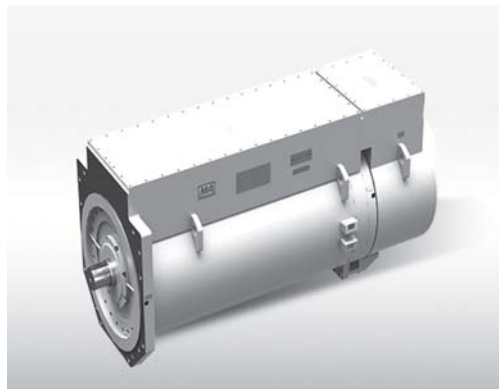
The variable all-in-one motorspeed VFD motor is a perfect merger of variable drive and motor, ultimate goal of variable frequency application and the optimal solution of electromechanical integration. The product can be applied on equipment such as scraper conveyor, reserved loader, belt conveyor, emulsified liquid pump station, winch and draught fan. it can operate in smaller space, with big startup torque, less impact on power grid, less electromagnetic interference, low energy consumption and with high efficiency.



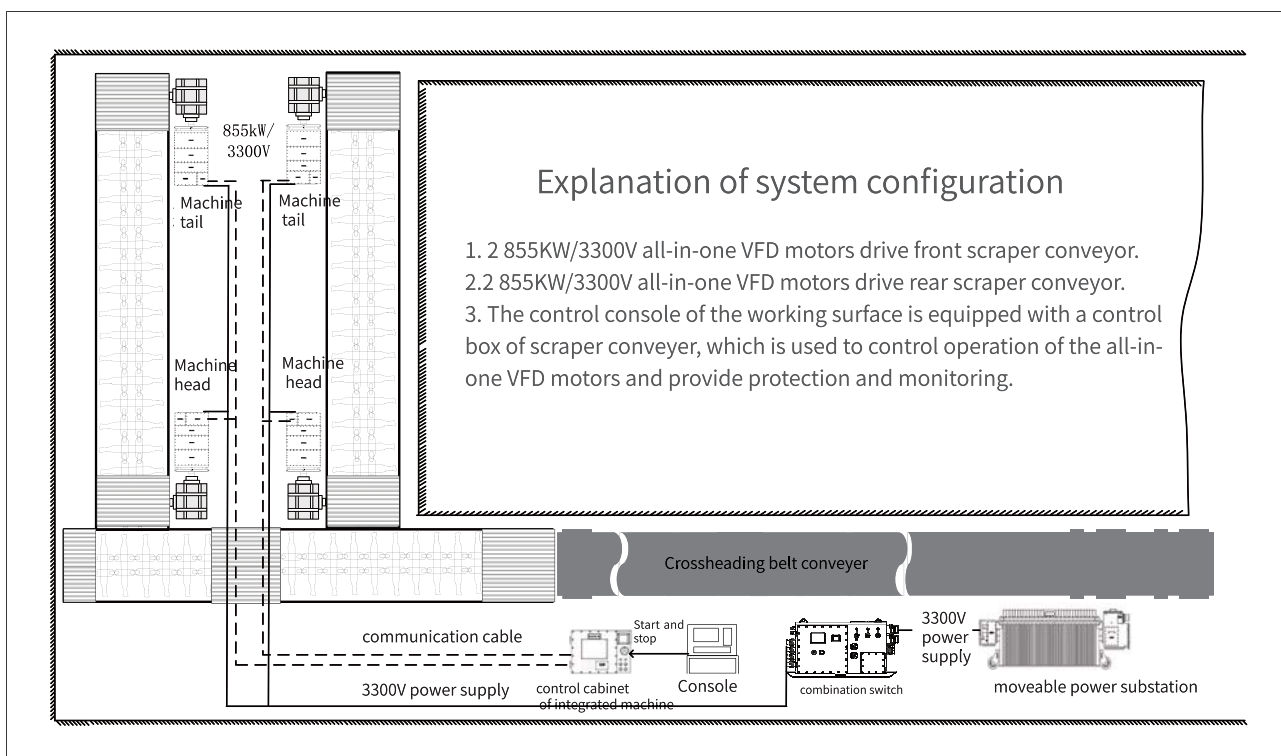
Main technical parameters

Input Voltage	10KV/6KV	3300V	1140V	1140V/660V
Power Rangel	400KW ~ 1600KW	525KW ~ 1600KW	110KW ~ 1000KW	90KW ~ 160KW
voltage fluctuation percentage	-15% ~ +10%			
input frequency	50Hz			
Output rotating speed range	0 ~ 1800r/min			
Protection	Overvoltage, undervoltage, overload, default phase, overheat, short circuit, electric leakage, etc.			
Flameproof	Exd[ib]I Mb			
Insulating level	H			
Protection level	IP56			
Power factor	≥ 0.98			
Installation	IMB5 or IMB3			

High voltage all-in-one VFD motor special for thin coal layer and top coal



The height of the all-in-one motor VFD motor is the same as that of two speed motor. The machine is applicable to scraper conveyor of working surface with thin coal layer and working surface with top coal.



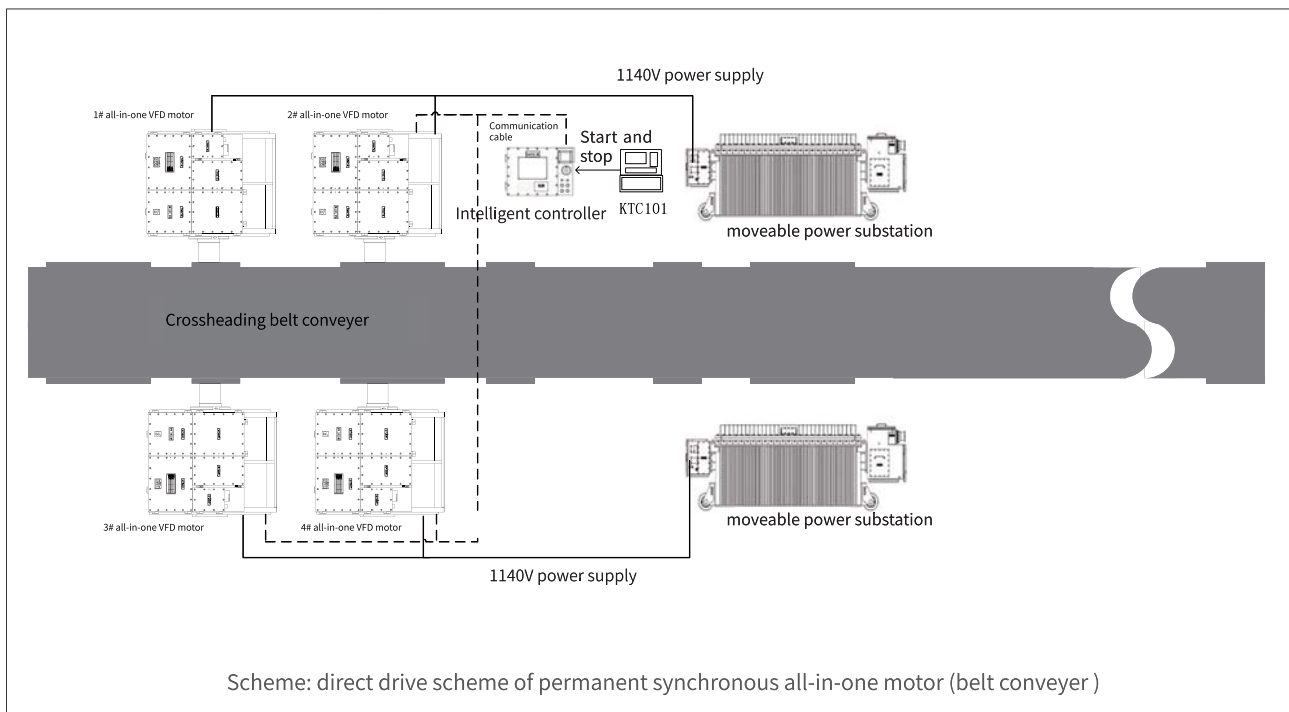
Main technical parameters

Input Voltage	3300V	1140V
Power Range	525KW ~ 1000KW	400KW ~ 1000KW
Allowable voltage fluctuation scope		-15% ~ +10%
Rated input frequency		50Hz
Output rotating speed scope		0 ~ 1800r/min
Protection	Overvoltage, undervoltage, overload, default phase, overheat, short circuit, electric leakage, etc.	
Anti-explosion type	Exd[ib]I Mb	
Insulation level	H	
Protection level	IP56	
Cooling way	Water-cooling of shell	
Working system	S1 (continuous working system)	
Installation way	IMB5 or IMB3	

Permanent magnet synchronous variable frequency and speed regulation all-in-one motor

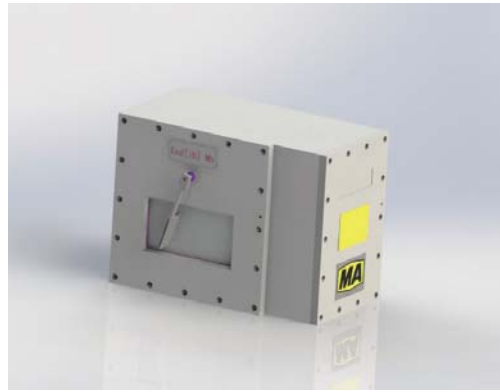


Our TYBVFT-500-60YC series permanent magnet synchronous variable frequency and speed regulation all-in-one motor, direct drives equipment such as coal mine belt conveyor and ball grinder, eliminating the reducer, hydraulic coupler and other intermediate links, greatly improving the operating efficiency of the equipment, Reduce energy consumption, in line with national energy-saving emission reduction related requirements



Main technical parameters	
Input Voltage	1140V
Power Range	315KW ~ 1000KW
Allowable voltage fluctuation scope	-15% ~ +10%
Rated input frequency	50Hz
Output rotating speed scope	0 ~ 80r/min
Protection function	Overvoltage, undervoltage, overload, default phase, overheat, short circuit, electric leakage, etc.
Insulation level	H
Protection level	IP56
Working system	S1 (continuous working system)
Power factor	≥ 0.96
Installation way	IMB5 or IMB3

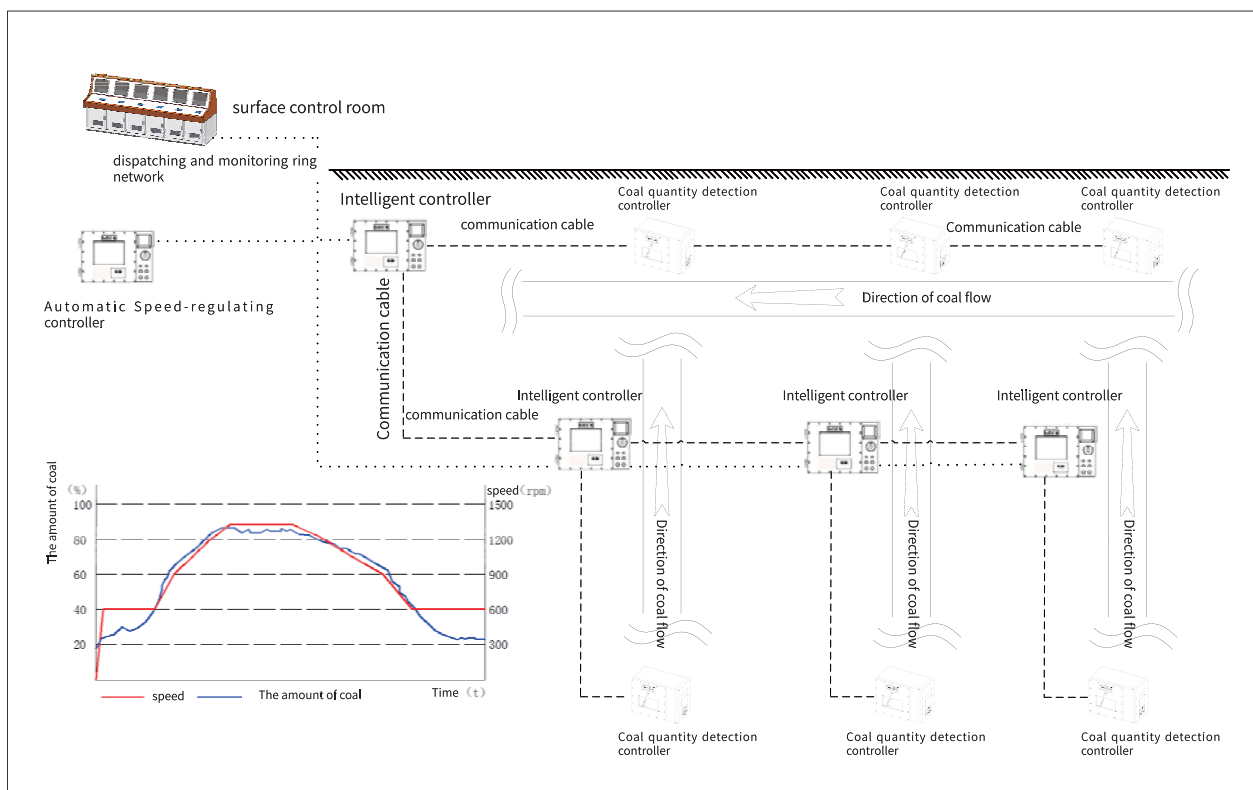
Automatic speed regulation system of coal flow detection of conveying system



YBM127 mine explosion-proof coal mining status detector (hereinafter referred to as the detector) is mainly used for downhole. Detection of coal flow in transportation equipment. The use of infrared scanning program, get the amount of coal information, through the bus on the device to send to other control systems. Detectors are suitable for explosive hazardous environments such as coal mine scraper and belt conveyor. In addition the detector configuration of the dust brush, can be adapted to work on dusty surfaces.

Realized functions:

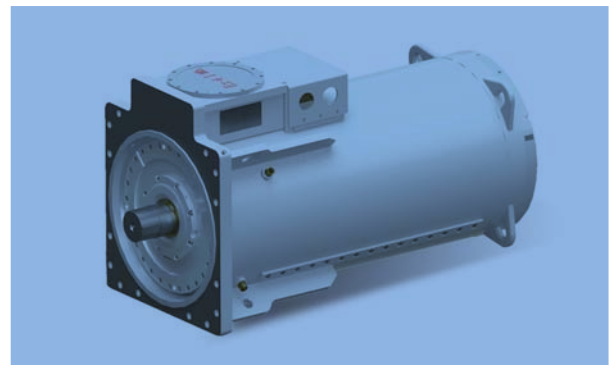
- On the variable frequency belt drive, with the belt machine running control system, based on coal flow data, real-time regulation of belt speed, reduce the belt machine mechanical wear and reduce system energy consumption
- Based on the coal flow data and combined with the belt operation control system, the equipment operates according to the coal flow to reduce the no-load running rate and the no-load running wear.
- Through high-precision continuous coal flow detection and integral algorithm, it precisely calculates coal conveying amount of the conveying system.



YBBP series three-phase asynchronous motor

focus on designing of anti-explosion motors

In this area, our company focus on designing of anti-explosion motors. The products meets the standard of GB3836.1-2010 Electrical Apparatus for Explosive Gas Atmospheres-Party 1: General Requirements and GB3836.2-2010 Electric Apparatus for Explosive Gas Atmospheres-Part 2: Flameproof Enclosure “d” .



Customized design and production

Special motors can be designed according to customer's requirement and their working conditions. This provides flexibility to customers who have special requirements for motor size, space and environment, drive features, power supply type and shell protection, etc.

The design scope of motors is wide. Motor type covers variable frequency motor, three-phase asynchronous motor, three-phase synchronous motor, permanent magnet synchronous motor, direct drive motor, etc. Flameproof type can be customized to be Exd I, Exd II, etc. Protection level can be IP23 ~ IP65. Installation type can be IMB3, IMB5, etc.

Main technical parameters		
Input Voltage	3300V	1140V
Power Range	525KW ~ 1600KW	200KW ~ 1000KW
Allowable voltage fluctuation scope	-15% ~ +15%	
Rated input frequency	50Hz	
Input frequency scope	0 ~ 60Hz	
Wiring way	Y	
Protection level	IP56	
Insulation level	Level H	
Anti-explosion type	ExdI Mb	
Cooling way	Water-cooling of shell	
Working system	S1 (continuous working system)	
Efficiency	≥ 97%	
Installation way	IMB5 or IMB3	

Special customized motor

本页所有的图都需要修改，图片参考中文版的 P15-16

文字部分我直接在本页修改了



Purpose: cutting motor of coal cutter
Voltage: 3300V
Power scope: 620kW ~ 860kW



Purpose: conveying motor of intellectualized driving and anchor machine
Voltage: 1140V
Power scope: 36kW ~ 45kW



Purpose: traction motor of coal cutter
Voltage scope: 575V ~ 690V
Power scope: 80kW ~ 150kW



Purpose: anti-explosion traction motor for trackless rubber wheel transport cart
Voltage scope: 200V ~ 1140V
Power scope: 25kW ~ 37kW



Purpose: motor of anti-explosion hydraulic pump for trackless rubber wheel transport cart
Voltage scope: 400V ~ 1140V
Power scope: 5.5kW ~ 15kW



Purpose: flame-proof type direct drive drum-type permanent magnet synchronous motor for mine
Voltage: 1140V
Power scope: 200kW ~ 500kW



Purpose: flame-proof type direct drive drum-type permanent magnet synchronous variable frequency motor for mine
Voltage: 1140V
Power scope: 200kW ~ 500kW



Purpose: flame-proof type drum-type permanent magnet synchronous variable frequency motor for mine (tensioning motor)
Voltage: 1140V
Power scope: 45kW ~ 200kW

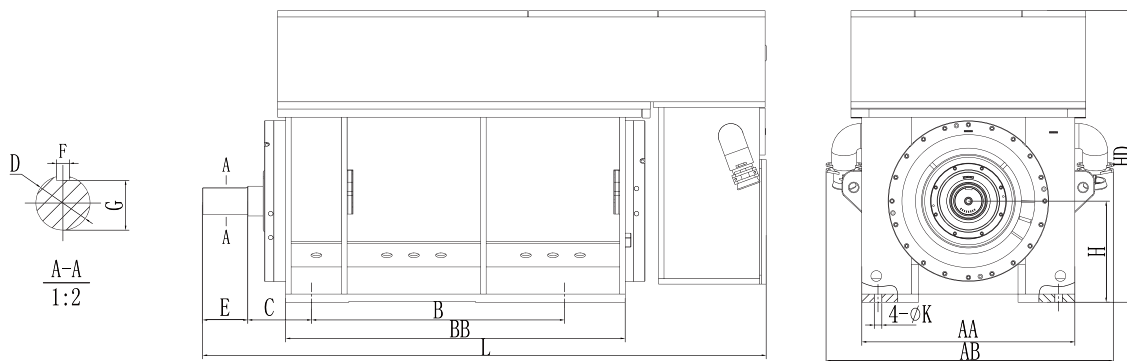
APPLICATION

Group company	Coal mine user	Product name	Model	Working conditions
Shenhua Shendong Coal Group	Yujialiang coal mine	Explosive-proof and intrinsic safety high voltage variable frequency all-in-one motor for mine	YJVFG-500M4-4T (3300V/1200KW)	Scraper conveyer
		Explosive-proof and intrinsic safety high voltage variable frequency all-in-one motor for mine	YJVFT-400L-4 (1140V/500KW)	Reversed loader
	Bulianta coal mine	Explosive-proof and intrinsic safety high voltage variable frequency all-in-one motor for mine	YJVFG-500M4-4T (3300V/1200KW)	Scraper conveyer
	Shangwan coal mine	Explosive-proof and intrinsic safety high voltage variable frequency all-in-one motor for mine	YJVFG-500L5-4T (3300V/1600KW)	Scraper conveyer
		Explosive-proof and intrinsic safety high voltage variable frequency all-in-one motor for mine	YJVFG-450-4T (3300V/700KW)	Reversed loader
		Explosive-proof and intrinsic safety high voltage variable frequency all-in-one motor for mine	YJVFG-500L5-4T (3300V/1600KW)	Belt conveyer
Yankuang Group	Xinglongzhuang coal mine	Explosive-proof and intrinsic safety high voltage variable frequency all-in-one motor for mine	YJVFT-400L-4 (1140V/500KW)	Scraper conveyer
	Dongtan coal mine	Explosive-proof and intrinsic safety high voltage variable frequency all-in-one motor for mine	YJVFT-450M-4 (1140V/700KW)	Scraper conveyer
		Explosive-proof and intrinsic safety high voltage variable frequency all-in-one motor for mine	YJVFG-450-4T (3300V/700KW)	Scraper conveyer
		Explosive-proof and intrinsic safety high voltage variable frequency all-in-one motor for mine	YJVFG-500M1-4T (3300V/855KW)	Scraper conveyer
	Zhaolou coal mine	Explosive-proof and intrinsic safety high voltage variable frequency all-in-one motor for mine	YJVFG-500M1-4T (3300V/855KW)	Scraper conveyer
	Baodian coal mine	Explosive-proof and intrinsic safety high voltage variable frequency all-in-one motor for mine	YJVFG-500M1-4T (3300V/855KW)	Scraper conveyer
	Jisan coal mine	Explosive-proof and intrinsic safety high voltage variable frequency all-in-one motor for mine	YJVFG-450-4T (3300V/700KW)	Scraper conveyer
		Explosive-proof and intrinsic safety high voltage variable frequency all-in-one motor for mine	YJVFT-400L-4 (1140V/500KW)	Scraper conveyer
	Shilawusu coal mine	Explosive-proof and intrinsic safety high voltage variable frequency all-in-one motor for mine	YJVFG-500M2-4T (3300V/1000KW)	Scraper conveyer
Zhuanlongwan coal mine	Explosive-proof and intrinsic safety high voltage variable frequency all-in-one motor for mine	YJVFG-500M2-4T (3300V/1000KW)	Scraper conveyer	
Handing Energy Zibo Mining Group Co., Ltd.	Shuangxin mine industry	Explosive-proof and intrinsic safety high voltage variable frequency all-in-one motor for mine	YJVFT-355L1-4 (1140V/315KW)	Belt conveyer
		Explosive-proof and intrinsic safety high voltage variable frequency all-in-one motor for mine	YJVFG-450-4T (3300V/700KW)	Scraper conveyer
		Explosive-proof and intrinsic safety high voltage variable frequency all-in-one motor for mine	YJVFG-500M2-4T (3300V/1000KW)	Scraper conveyer
	Xinhe coal mine	Explosive-proof and intrinsic safety high voltage variable frequency all-in-one motor for mine	YJVFT-355L1-4 (1140V/315KW)	Belt conveyer
Shandong Energy Xinwen Mining Group Co., Ltd.	Xinjiang Yili four mines	Explosive-proof and intrinsic safety high voltage variable frequency all-in-one motor for mine	YJVFT-315M-4 (1140V/132KW)	Belt conveyer
Zhongmei Xinji	Liuzhuang coal mine	Explosive-proof and intrinsic safety high voltage variable frequency all-in-one motor for mine	YJVFG-500M4-4T (3300V/1200KW)	Scraper conveyer
Inner Mongolia Huineng Group	Erlintu coal mine	Explosive-proof and intrinsic safety high voltage variable frequency all-in-one motor for mine	YJVFT-450L1-4 (1140V/1000KW)	Scraper conveyer
Linfen Xinrun' an Coal Mine Materials Supply Co., Ltd	Tongfuxin coal mine	Explosive-proof and intrinsic safety high voltage variable frequency all-in-one motor for mine	YJVFT-355L1-4 (1140V/315KW)	Scraper conveyer
		Explosive-proof and intrinsic safety high voltage variable frequency all-in-one motor for mine	YJVFT-400L-4 (1140V/500KW)	Scraper conveyer
Datong Coal Mine Group	Tashan coal mine	Explosive-proof and intrinsic safety high voltage variable frequency all-in-one motor for mine	YJVFG-500M4-4T (3300V/1200KW)	Belt conveyer
Shanxi Jincheng Anthracite Coal Mining Group	Zhaozhuang coal mine	Explosive-proof and intrinsic safety high voltage variable frequency all-in-one motor for mine	YJVFG-500M2-4T (3300V/1000KW)	Scraper conveyer
		Explosive-proof and intrinsic safety high voltage variable frequency all-in-one motor for mine	YJVFG-500S1-4T (3300V/525KW)	Reversed loader

PRODUCT SELECTION

■ 10KV/6KV series high voltage variable frequency and speed regulation all-in-one motor

Rated power (kW)	Rated voltage (V)	Rated current (A)	Rated rotating speed (r/min)	Rated torque (N.m)	Model
1020	10KV/6KV	72.7/121.2	1494	6520	YJVFG-560-4T
800	10KV/6KV	53/88	1493	5117	YJVFG-500-4T
700	10KV/6KV	47/78	1492	4481	YJVFG-500-4T
630	10KV/6KV	42/70	1492	4033	YJVFG-450-4T
560	10KV/6KV	37/61.7	1493	3582	YJVFG-450-4T
500	10KV/6KV	33/55	1490	3205	YJVFG-450-4T
400	10KV/6KV	27/45	1488	2567	YJVFG-450-4T

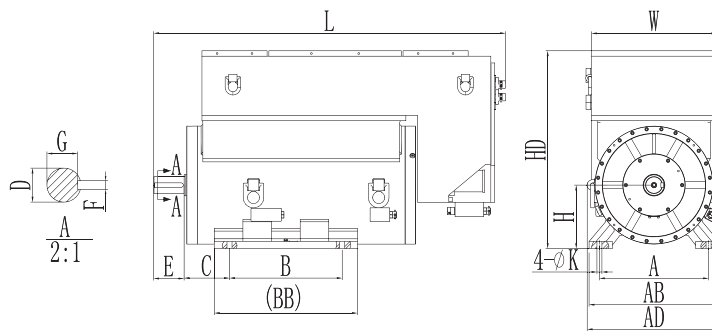


Code	Seat number	Mounting dimension and tolerance											Boundary dimension		
		A	B	C	D	E	G	F	K	BB	H	AA	L	HD	AB
1020	560	1000	1400	355	150	250	138	36	42	1880	560	1180	3120	1615	1580

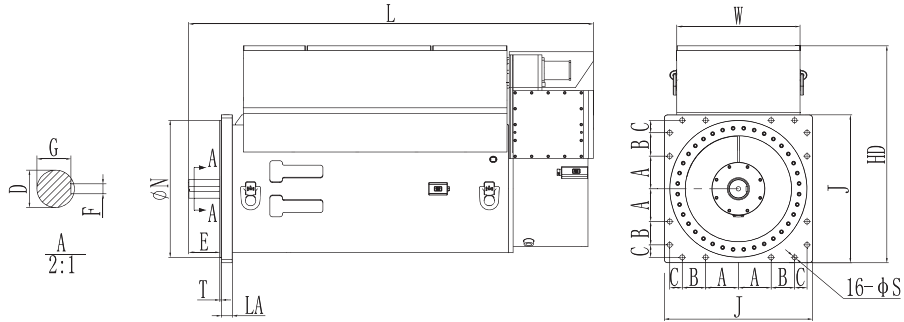


■ 3300V series high voltage variable frequency and speed regulation all-in-one motor

Rated power (kW)	Rated current (A)	Rated rotating speed (r/min)	Rated torque (N.m)	Model
1600	340	1494	10240	YJVFG-500L5-4T(1600/3300)
1500	315	1494	9600	YJVFG-500L3-4T(1500/3300)
1400	295	1494	8960	YJVFG-500L1-4T(1400/3300)
1200	245	1494	7676	YJVFG-500M4-4T(1200/3300)
1000	204	1494	6392	YJVFG-500M2-4T(1000/3300)
855	175	1494	5465	YJVFG-500M1-4T(855/3300)
				YJVFG-450-4T(855/3300)
700	148	1493	4477	YJVFG-500S4-4T(700/3300)
				YJVFG-450-4T(700/3300)
600	129	1493	3838	YJVFG-500S2-4T(600/3300)
				YJVFG-450-4T(600/3300)
525	109	1493	3358	YJVFG-500S1-4T(525/3300)
				YJVFG-450-4T(525/3300)

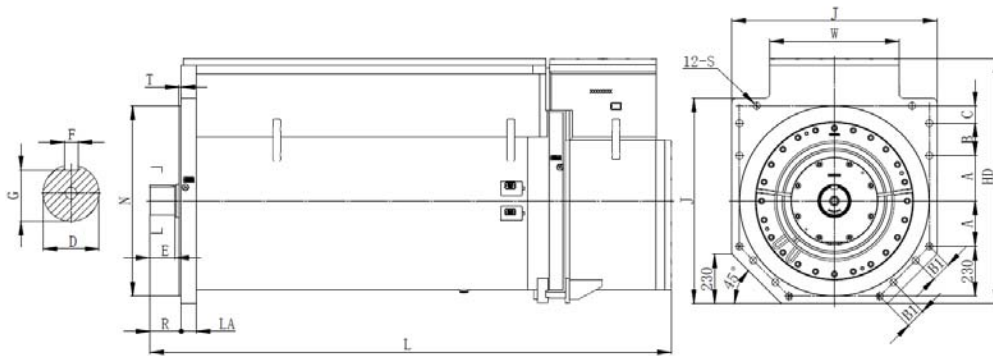


Code	Mounting dimension and tolerance											Boundary dimension		
	A	B	C	D	F	G	N	E	T	LA	S	L	HD	J
1600kW	210	150	80	160	40	147	880	182	8	70	32	2630	1432	950
1500kW	210	150	80	160	40	147	880	182	8	70	32	2590	1432	950
1400kW	210	150	80	160	40	147	880	182	8	70	32	2590	1432	950
1200kW	210	150	80	160	40	147	880	182	8	70	32	2350	1432	950
1000kW	210	150	80	160	40	147	880	182	8	70	32	2280	1432	950
855kW	210	150	80	160	40	147	880	182	8	70	32	2280	1432	950
700kW	210	150	80	110	28	100	880	145	8	70	32	2140	1380	950
600kW	210	150	80	110	28	100	880	145	8	70	32	2060	1380	950
525kW	210	150	80	110	28	100	880	145	8	70	32	2060	1380	950



Code	Mounting dimension and tolerance											Boundary dimension			
	A	B	C	D	F	G	N	W	E	T	LA	S	L	HD	J
700kW	210	150	80	120	32	109	880	790	210	6	70	32	2574	1363	950
600kW	210	150	80	120	32	109	880	790	210	6	70	32	2574	1363	950
525kW	210	150	80	120	32	109	880	790	210	6	70	32	2574	1363	950

Special for thin coal layer or top coal

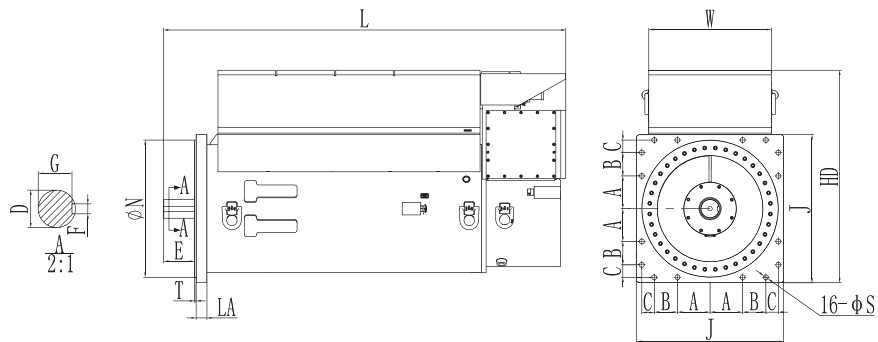


Code	Mounting dimension and tolerance											Boundary dimension				
	A	B	C	B1	D	F	G	N	W	E	T	LA	S	L	HD	J
1000kW	210	150	80	90	130	32	119	880	600	115	10	70	32	2416	1132	950
855kW	210	150	80	90	130	32	119	880	600	115	10	70	32	2416	1132	950
700kW	210	150	80	90	130	32	119	880	600	115	10	70	32	2416	1132	950
600kW	210	150	80	90	130	32	119	880	600	115	10	70	32	2416	1132	950
525kW	210	150	80	90	130	32	119	880	600	115	10	70	32	2416	1132	950

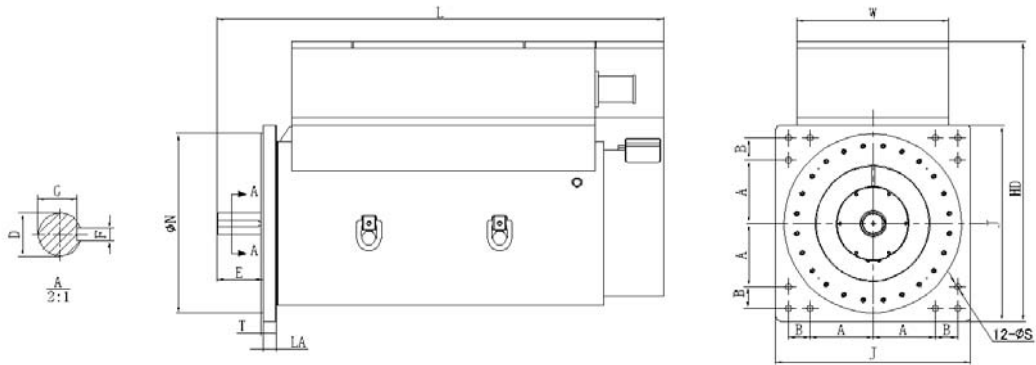
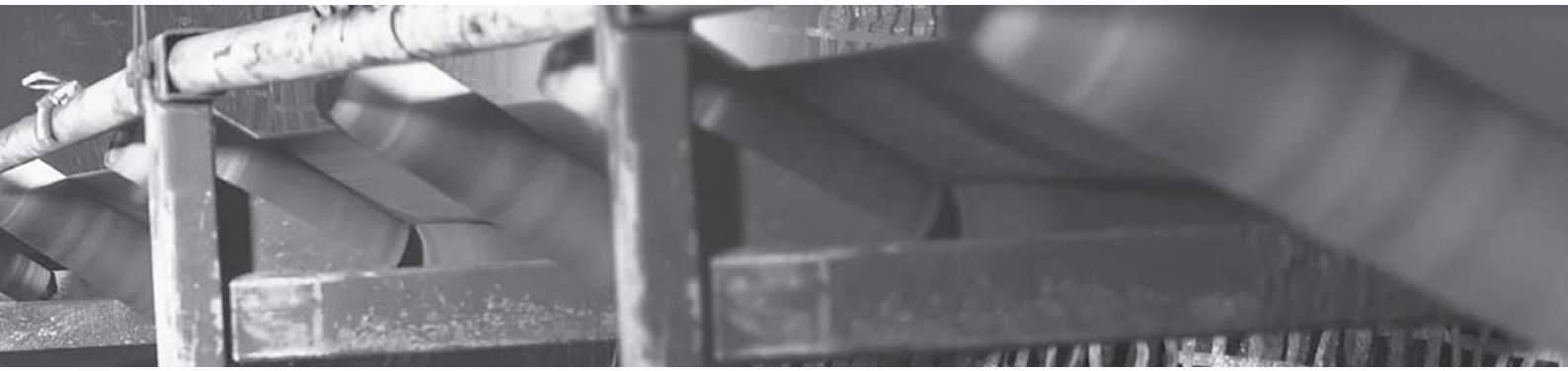


■ 1140V series variable frequency and speed regulation all-in-one motor

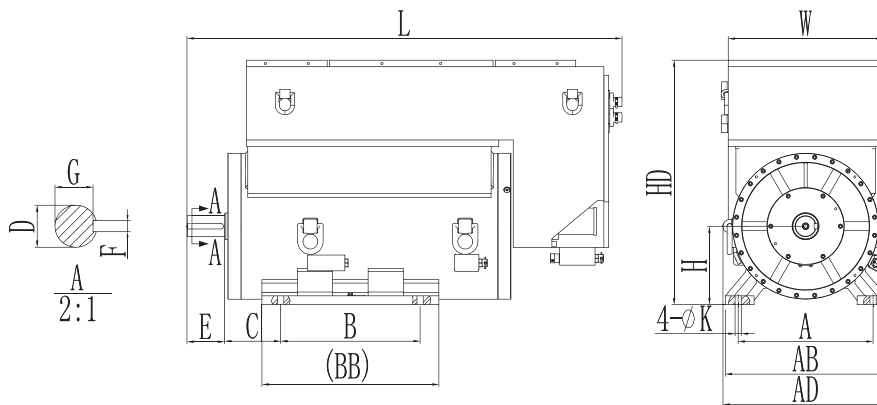
Rated power (kW)	Rated current (A)	Rated rotating speed (r/min)	Rated torque (N.m)	Model
1000	594	1493	6396	YJVFT-450L1-4(1140)
800	500	1492	5120	YJVFT-450M-4(1140)
700	418	1493	4478	YJVFT-450M-4(1140)
500	300	1490	3205	YJVFT-400L-4(1140)
400	240	1488	2567	YJVFT-355L1-4(1140)
375	226	1489	2405	YJVFT-355L1-4(1140)
355	215	1490	2275	YJVFT-355L1-4(1140)
315	195	1488	2022	YJVFT-355L1-4(1140)
250	146	1488	1605	YJVFT-355L1-4(1140)
200	117	1487	1284	YJVFT-355L1-4(1140)
160	94	1482	1031	YJVFT-355M-4(1140)
132	82	1490	843.6	YJVFT-355M-4(1140)
110	75	1490	705	YJVFT-355M-4(1140)
90	54	1485	578	YJVFT-280M-4(1140)
75	45	1485	482	YJVFT-280M-4(1140)



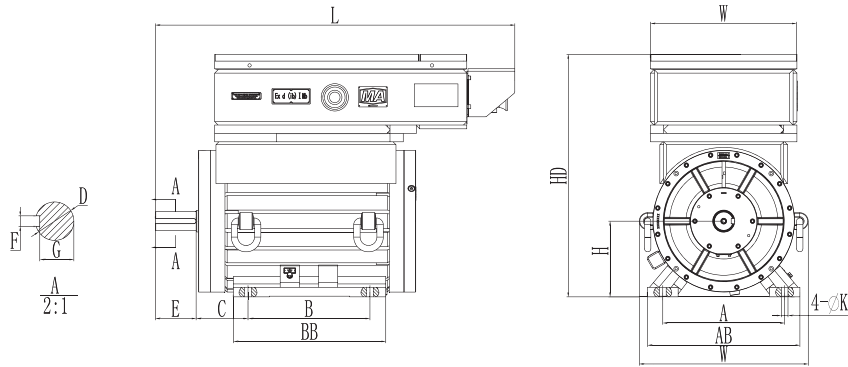
Code	Mounting dimension and tolerance											Boundary dimension			
	A	B	C	D	F	G	N	W	E	T	LA	S	L	HD	J
1000kW	210	150	80	120	32	109	880	790	210	6	70	32	2728	1363	950
800kW	210	150	80	120	32	109	880	790	210	6	70	32	2728	1363	950
700kW	210	150	80	120	32	109	880	790	210	6	70	32	2574	1363	950



Mounting dimension and tolerance													Boundary dimension	
Code	A	B	D	F	G	N	W	E	T	LA	S	L	HD	J
500kW	290	100	100	28	90	825	690	210	6	60	32	2090	1285	900



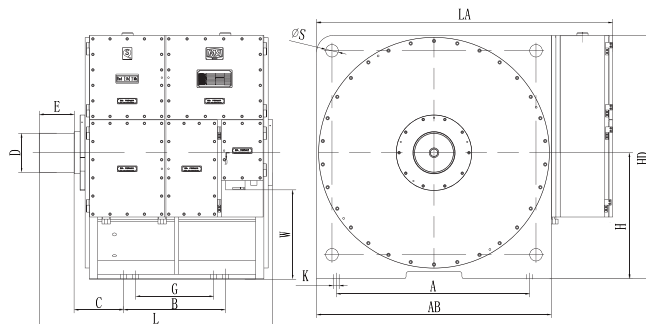
Mounting dimension and tolerance													Boundary dimension	
Code	A	AB	B	BB	C	D	E	F	G	H	K	L	HD	AD
400kW	610	726	630	800	254	95	170	25	86	355	28	1968	1106	764
375kW	610	726	630	800	254	95	170	25	86	355	28	1968	1106	764
355kW	610	726	630	800	254	95	170	25	86	355	28	1968	1106	764
315kW	610	726	630	800	254	95	170	25	86	355	28	1968	1106	764
250kW	610	726	630	800	254	95	170	25	86	355	28	1968	1106	764
200kW	610	726	630	800	254	95	170	25	86	355	28	1968	1106	764



Code	Mounting dimension and tolerance									Boundary dimension				
	A	B	C	D	E	F	G	K	H	AB	BB	HD	L	W
160kW	508	508	216	80	170	22	71	28	315	635	635	1000	1500	704
132kW	508	508	216	80	170	22	71	28	315	635	635	1000	1500	704
110kW	508	508	216	80	170	22	71	28	315	635	635	1000	1500	704

■ Permanent magnet synchronous variable frequency and speed regulation all-in-one motor

Rated power (kW)	Number of poles	Voltage (V)	Rated current (A)	Rated frequency (Hz)	Rated rotating speed (r/min)	Rated torque (N.m)	Efficiency (%)	Model
1000	80	1140	544	50Hz	75	127333	97	TYBVFT-1000-80YC
800	80	1140	440	50Hz	75	101866	96	TYBVFT-800-80YC
700	80	1140	385	50Hz	75	89133	96	TYBVFT-700-80YC
630	80	1140	346	50Hz	75	80220	96	TYBVFT-630-80YC
500	60	1140	277	37.5Hz	75	63666	95	TYBVFT-500-60YC
400	60	1140	222	37.5Hz	75	50933	95	TYBVFT-400-60YC
315	40	1140	175	25Hz	75	40110	95	TYBVFT-315-40YC

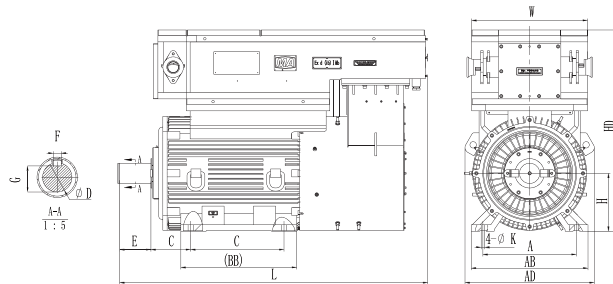


Code	Mounting dimension and tolerance											Boundary dimension			
	A	B	C	D	E	G	K	W	H	M	S	AB	L	HD	LA
dimension	1410	800	335	280	250	600	58	530	900	M56	90	1680	1670	1740	2120



■ 1140V/660V four-quadrant variable frequency and speed regulation all-in-one motor (air cooling)

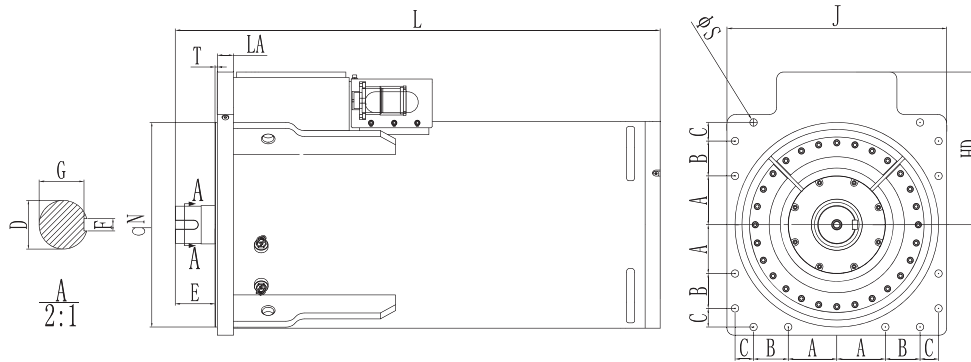
Rated power (kW)	Rated voltage (V)	Rated current (A)	Rated rotating speed (r/min)	Rated torque (N.m)	Model
160	1140/660	94/165	1482	1031	YJVFT-315L-4
110	1140/660	65.5/113	1488	706	YJVFT-315L-4
90	1140/660	53.6/92.6	1488	578	YJVFT-315L-4



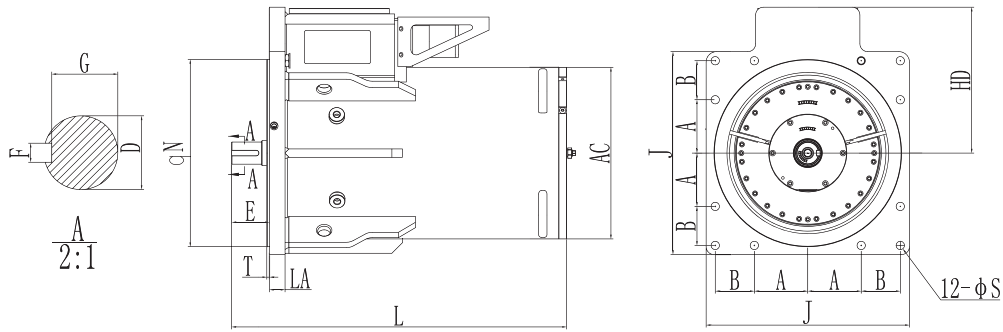
Code	Mounting dimension and tolerance							Boundary dimension						
	A	B	C	D	E	F	G	K	AB	AD	BB	HD	L	W
160kw	508	508	216	80	170	22	71	28	635	703	630	1095	1676	630
110kW	508	508	216	80	170	22	71	28	635	703	630	1095	1676	630
90kW	508	508	216	80	170	22	71	28	635	703	630	1095	1676	630

■ YBBP series three-phase asynchronous motor (3300V)

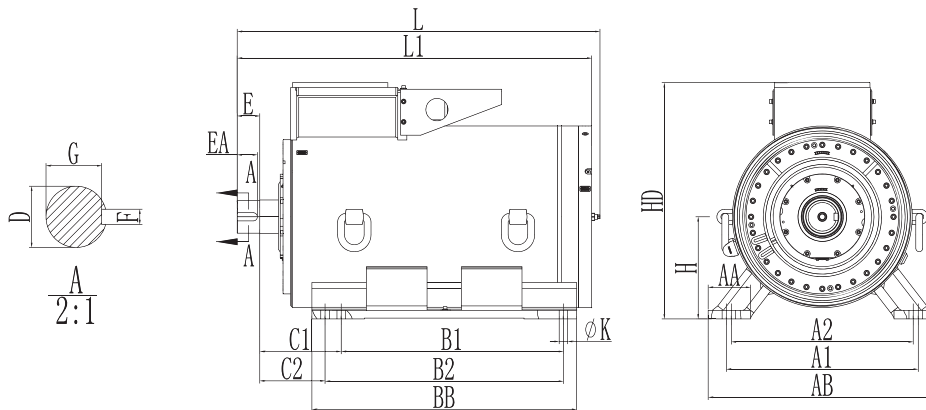
Rated power (kW)	Rated current (A)	Rated rotating speed (r/min)	Rated torque (N.m)	Model
1600	312	1494	10227	YBBP-500L5-4
1500	297.4	1494	9588	YBBP-500L3-4
1400	276.8	1494	8949	YBBP-500L1-4
1250	247.2	1494	7990	YBBP-500M4-4
1200	237.7	1494	7676	YBBP-500M4-4
1120	224.3	1494	7159	YBBP-500M2-4
1050	210.8	1494	6712	YBBP-500M2-4
1000	201.3	1494	6392	YBBP-500M2-4
900	178	1494	5753	YBBP-500M1-4
885	175.1	1494	5657	YBBP-500M1-4
855	169.4	1494	5465	YBBP-500M1-4
800	159.2	1493	5117	YBBP-500S4-4
750	149.5	1493	4797	YBBP-500S4-4
710	141.9	1493	4541	YBBP-500S4-4
700	140	1493	4477	YBBP-500S4-4
630	126.5	1493	4029	YBBP-500S2-4
600	120.9	1493	3837	YBBP-500S2-4
560	110.7	1493	3582	YBBP-500S1-4
525	104	1493	3358	YBBP-500S1-4
400	83	1488	2567	YBBP-355M2-4
375	79	1489	2405	YBBP-355M2-4
355	75	1490	2275	YBBP-355M2-4
315	64	1487	2023	YBBP-355M2-4
280	57	1486	1799	YBBP-355M1-4
250	51	1488	1605	YBBP-355M1-4
220	45	1486	1413	YBBP-355S1-4
200	41	1488	1283	YBBP-355S1-4



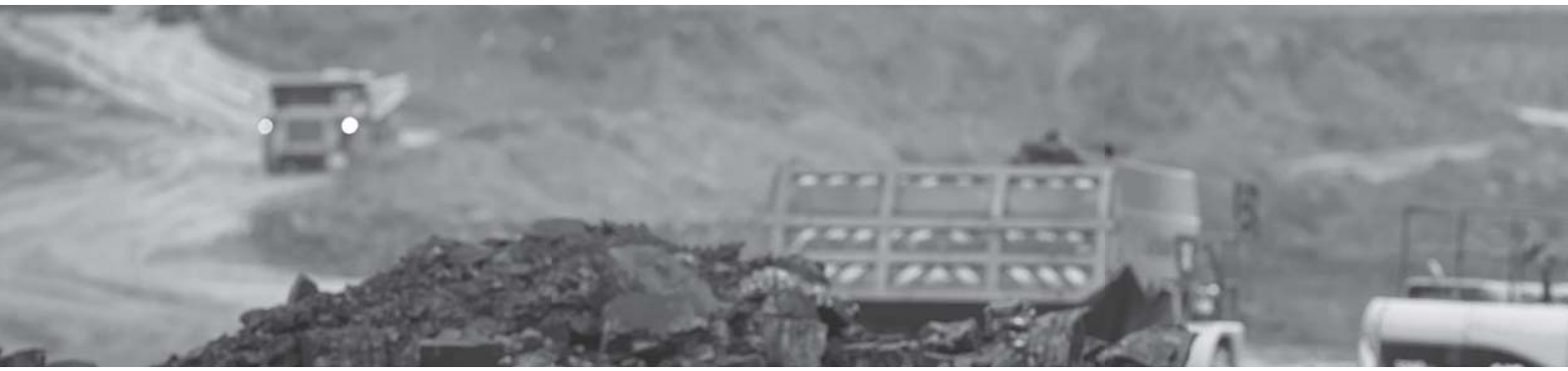
Code	Mounting dimension and tolerance											Boundary dimension		
	A	B	C	D	F	G	N	E	T	LA	S	L	HD	LA
1600	210	150	80	160	40	147	880	182	10	70	32	2057	665	950
1500	210	150	80	160	40	147	880	182	10	70	32	2057	665	950
1400	210	150	80	160	40	147	880	182	10	70	32	1897	665	950
1250	210	150	80	160	40	147	880	182	10	70	32	1817	665	950
1200	210	150	80	160	40	147	880	182	10	70	32	1817	665	950
1120	210	150	80	160	40	147	880	182	10	70	32	1747	665	950
1050	210	150	80	160	40	147	880	182	10	70	32	1747	665	950
1000	210	150	80	160	40	147	880	182	10	70	32	1747	665	950
900	210	150	80	160	40	147	880	182	10	70	32	1697	665	950
885	210	150	80	160	40	147	880	182	10	70	32	1697	665	950
855	210	150	80	160	40	147	880	182	10	70	32	1697	665	950
800	210	150	80	110	28	100	880	145	10	70	32	1607	665	950
750	210	150	80	110	28	100	880	145	10	70	32	1607	665	950
710	210	150	80	110	28	100	880	145	10	70	32	1607	665	950
700	210	150	80	110	28	100	880	145	10	70	32	1607	665	950
630	210	150	80	110	28	100	880	145	10	70	32	1527	665	950
600	210	150	80	110	28	100	880	145	10	70	32	1527	665	950
560	210	150	80	110	28	100	880	145	10	70	32	1527	665	950
525	210	150	80	110	28	100	880	145	10	70	32	1527	665	950



Code	Mounting dimension and tolerance										Boundary dimension				
	A	B	D	F	G	N	E	T	LA	S	L	HD	J	AC	
400	205	150	85	22	76	720	145	10	60	32	1285	561	780	660	
375	205	150	85	22	76	720	145	10	60	32	1285	561	780	660	
355	205	150	85	22	76	720	145	10	60	32	1285	561	780	660	
315	205	150	85	22	76	720	145	10	60	32	1285	561	780	660	
280	205	150	85	22	76	720	145	10	60	32	1205	561	780	660	
250	205	150	85	22	76	720	145	10	60	32	1205	561	780	660	
220	205	150	85	22	76	720	145	10	60	32	1125	561	780	660	
200	205	150	85	22	76	720	145	10	60	32	1125	561	780	660	

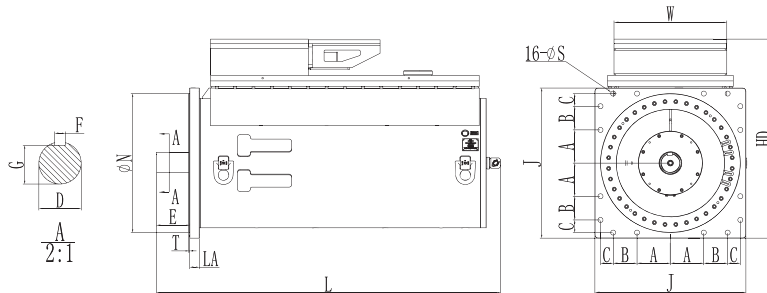


Code	Mounting dimension and tolerance										Boundary dimension									
	A1	A2	AA	AB	B1	C1	B2	C2	BA	BB	K	D	G	E	EA	F	H	HD	L1	L
1250	950	900	210	1130	1170	315	1250	235	260	1380	42	140	128	200	180	36	500	1157	1825	1866
1200	950	900	210	1130	1170	315	1250	235	260	1380	42	140	128	200	180	36	500	1157	1825	1866
1120	950	900	210	1130	1170	315	1250	235	260	1380	42	140	128	200	180	36	500	1157	1825	1796
1050	950	900	210	1130	1170	315	1250	235	260	1380	42	140	128	200	180	36	500	1157	1825	1796
1000	950	900	210	1130	1170	315	1250	235	260	1380	42	140	128	200	180	36	500	1157	1825	1796

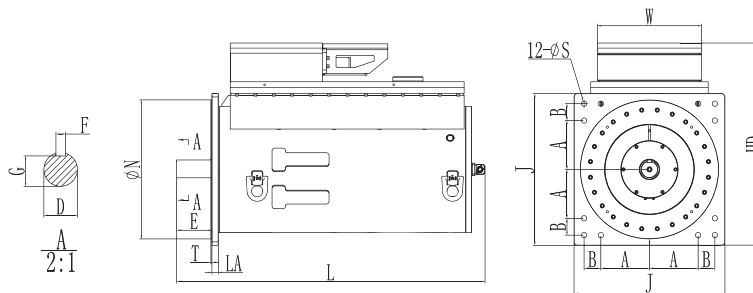


■ YBBP series three-phase asynchronous motor (1140V)

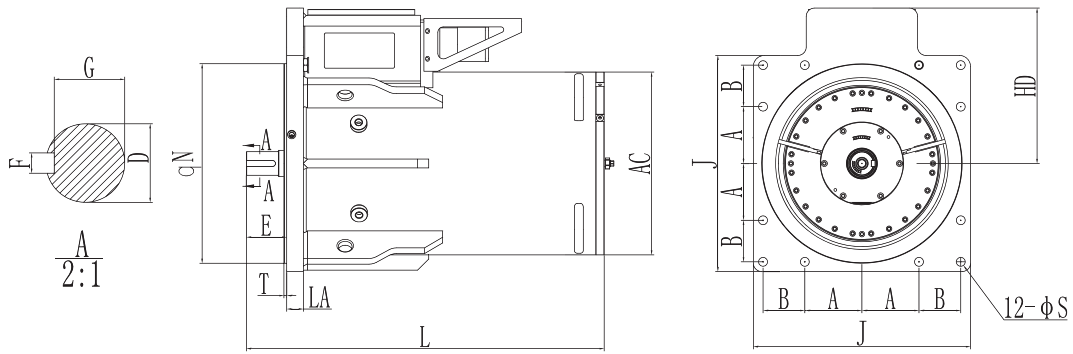
Rated power (kW)	Rated current (A)	Rated rotating speed (r/min)	Rated torque (N.m)	Model
1000	573	1493	6396	YBBP-450L1-4(1140)
800	500	1492	5120	YBBP-450L1-4(1140)
700	403	1493	4477	YBBP-450M-4(1140)
500	290	1490	3204	YBBP-400L-4(1140)
400	240.3	1488.5	2566	YBBP-355M2-4(1140)
375	226.3	1489.5	2404	YBBP-355M2-4(1140)
355	215.3	1490	2275	YBBP-355M2-4(1140)
315	186	1488	2021	YBBP-355L1-4(1140)
				YBBP-355M2-4(1140)
280	164.1	1486	1799	YBBP-355M1-4(1140)
250	146.5	1488	1605	YBBP-355M1-4(1140)
220	129.3	1486.5	1413	YBBP-355S1-4(1140)
200	117.7	1487.7	1284	YBBP-355S1-4(1140)



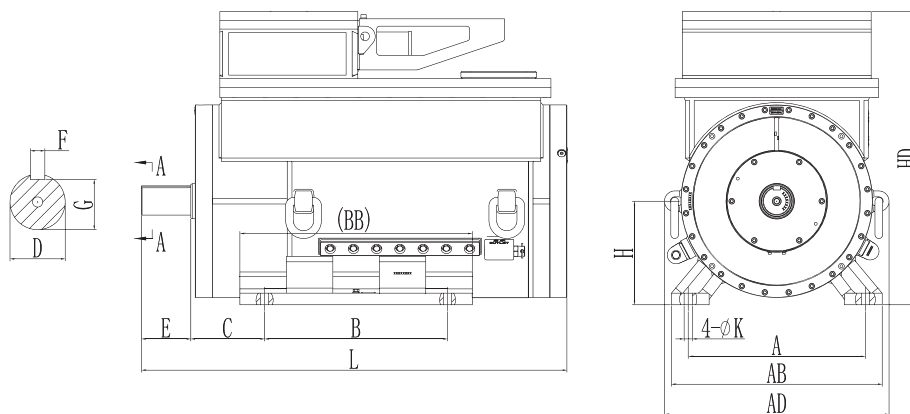
Code	Mounting dimension and tolerance												Boundary dimension		
	A	B	C	D	F	G	N	W	E	T	LA	S	L	HD	J
1000kW	210	150	80	120	32	109	880	790	210	6	70	32	2315	1260	950
800kW	210	150	80	120	32	109	880	790	210	6	70	32	2315	1260	950
700kW	210	150	80	120	32	109	880	790	210	6	70	32	2165	1260	950



Code	Mounting dimension and tolerance											Boundary dimension		
	A	B	D	F	G	N	W	E	T	LA	S	L	HD	J
500kW	290	100	100	28	90	825	690	210	6	60	32	1839	1200	900



Code	Mounting dimension and tolerance										Boundary dimension			
	A	B	D	F	G	N	E	T	LA	S	L	HD	J	AC
400	205	150	85	22	76	720	145	10	60	32	1285	561	780	660
375	205	150	85	22	76	720	145	10	60	32	1285	561	780	660
355	205	150	85	22	76	720	145	10	60	32	1285	561	780	660
315	205	150	85	22	76	720	145	10	60	32	1285	561	780	660
280	205	150	85	22	76	720	145	10	60	32	1205	561	780	660
250	205	150	85	22	76	720	145	10	60	32	1205	561	780	660
220	205	150	85	22	76	720	145	10	60	32	1125	561	780	660
200	205	150	85	22	76	720	145	10	60	32	1125	561	780	660



Code	Mounting dimension and tolerance										Boundary dimension			
	A	AB	B	BB	C	D	E	F	G	H	K	L	HD	AD
315	610	726	630	800	254	95	170	25	86	355	28	1465	1005	747



CCS  VFD MOTOR

QINGDAO CCS VFD MOTOR CO., LTD.

Add:No.662, Century Avenue,Huangdao District,Qingdao,Shandong.
Tel : +86-532-8661 0193
Fax : +86-532-8661 0193
Web: www.ccs-motor.com

